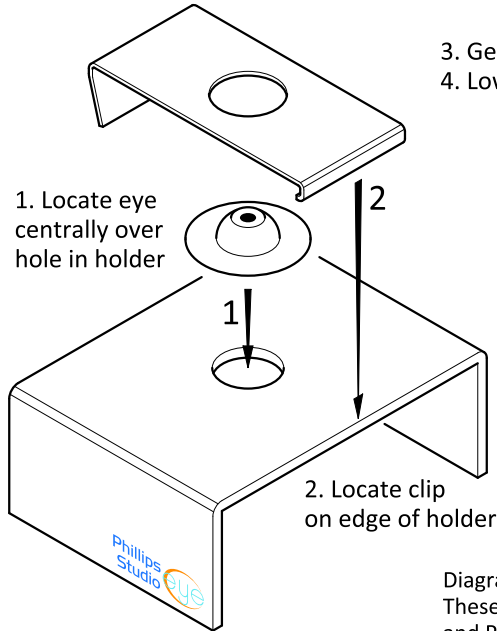


To Fit Clip



3. Gently pull clip just enough to clear the edge of the holder.
4. Lower clip to secure the eye.

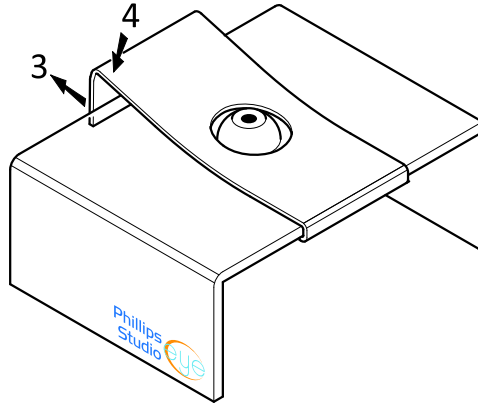
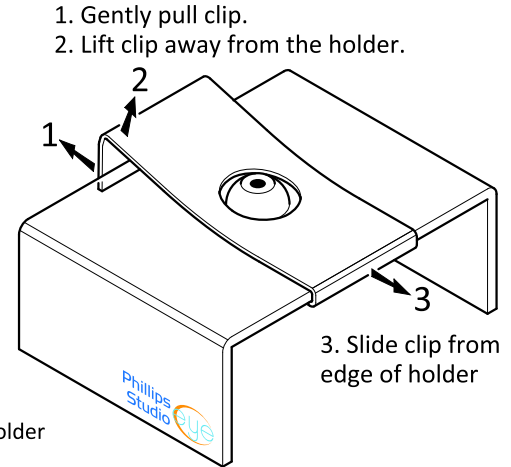


Diagram shows a PS-020b Basic Eye Holder.
 These instructions also apply to PS-020a Advanced Eye Holder
 and PS-020s Stemi Eye Holder.

To Remove Clip



Care and Cleaning:

The holder is made from hard transparent acrylic which is slightly flexible but can crack if put under stress. DON'T lean on the holder or apply large weights onto it. Allow enough clearance when under a microscope to avoid damaging the holder or microscope. Wipe with a clean micro-fibre cloth to keep it clean. Wash in warm soapy water if needed.